

Libero Line Series Infrared, 2 zones, front to back

ITEM # _____

MODEL # _____

NAME # _____

SIS # _____

AIA # _____



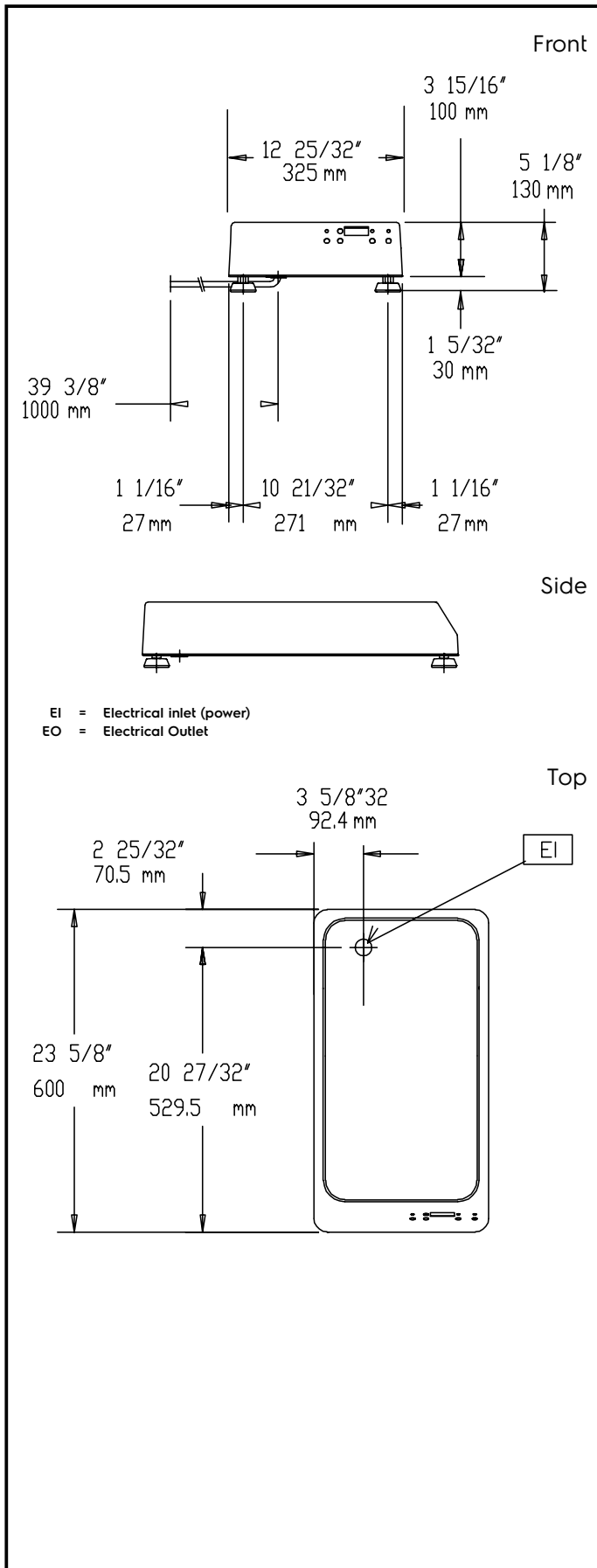
Main Features

- Table top design, front-to-back model.
- Heavy duty AISI 304 Stainless steel construction.
- Sealed heavy duty glass-ceramic cooking surface, 4 mm in thickness.
- Two independently controlled infrared cooking zones with touch button control panel.
- Digital power level display (from 0 to 9).
- Precise temperature control that helps maintain and quickly reach the desired temperature.
- IP24 protected.
- Cord and plug included.
- 4 adjustable feet.
- Suitable for pot and pan with diameter of 140-250mm.

Optional Accessories

- Stainless steel universal frying pan with stainless steel handle (diam. 200mm) suitable for induction and all other heating sources PNC 653596
- Universal frying pan with stainless steel handle (diam. 240mm) suitable for induction and all other heating sources PNC 653597
- Universal frying pan with stainless steel handle (diam. 280mm) suitable for induction and all other heating sources PNC 653598
- Support frame for GN containers for infrared cook top, front-to-back PNC 653612
- Universal frying pan with smooth plate suitable for infrared cookers PNC 653615
- Universal frying pan with ribbed plate suitable for infrared cookers PNC 653616

APPROVAL: _____


Electric

Supply voltage:
 602080 (DIL2) 220-240 V/1 ph/50/60 Hz

Key Information:

Front Plates Power: 1.8 - 0 kW
Back Plates Power: 1.8 - kW
Front Plates dimensions: Ø 220
Back Plates dimensions: Ø 220
External dimensions, Width: 325 mm
External dimensions, Depth: 600 mm
External dimensions, Height: 135 mm
Net weight: 12 kg
Plug Type: 1phase: Schuko; 3phase: CEE